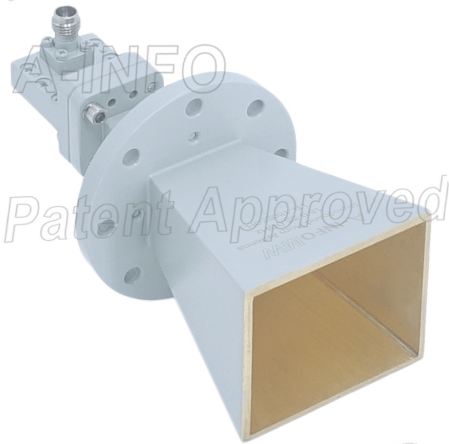


For reference only. See data sheet for the detailed specifications.

Technical Specification



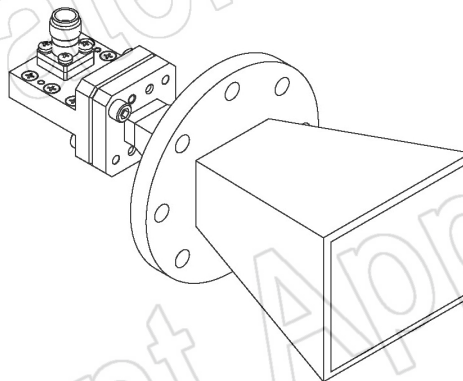
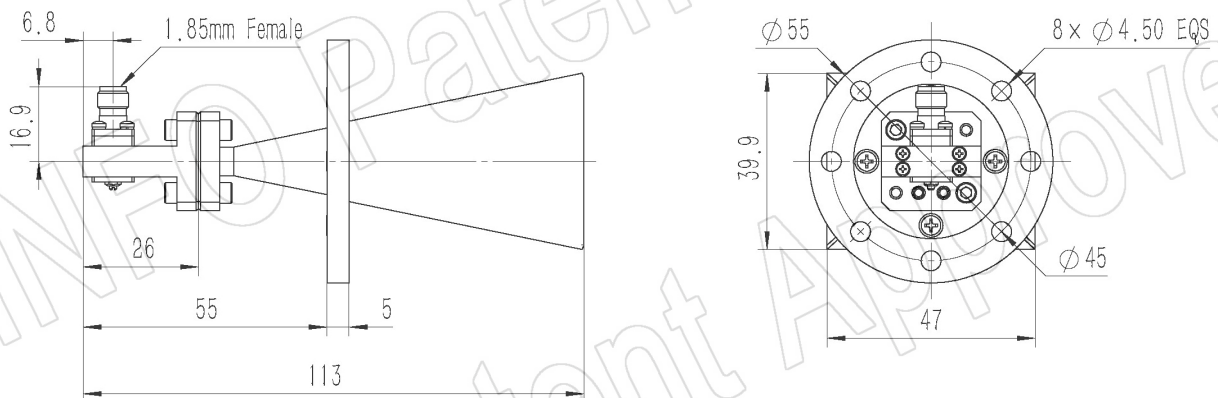
Frequency Range(GHz)	18.0 – 55.0
Gain(dBi)	20 Typ.
Polarization	Linear
3dB Beamwidth(deg)	E Plane: 24 - 7
	H Plane: 26 - 9
Cross Pol. Isolation(dB)	40 Typ.
VSWR	1.50:1 Typ.
	2.0:1 Max.
Connector	1.85mm-Female
Power Handling(W CW)	5 Max.
Material	Cu
Finish	Gold Plated and Passivation, Gray Paint
Size(mm)	55 x 55 x 113
Net Weight(Kg)	0.28 Around

PATENT ID (China)

ZL201930458725.9

Outline Drawing (Size: mm)

1.85mm-Female Output (P/N: LB-180550H-1.85F)



AINFO Inc.

China(Beijing):
China(Chengdu):
USA :

Tel: (+86) 10-6266-7326,
Tel: (+86) 28-8519-2786,
Tel: (+1) 949-639-9688,

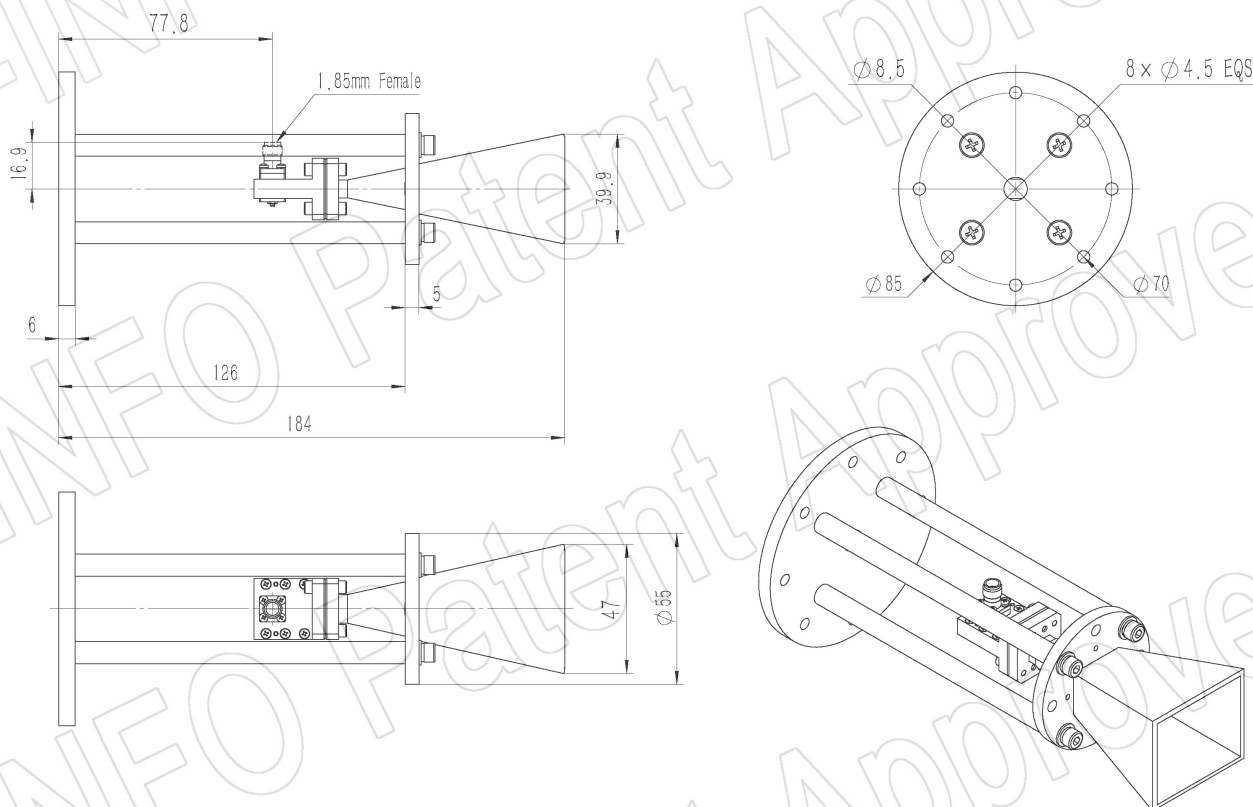
(+86) 10-6266-7327
(+86) 28-8519-3044
(+1) 949-639-9608

Page 1 of 19

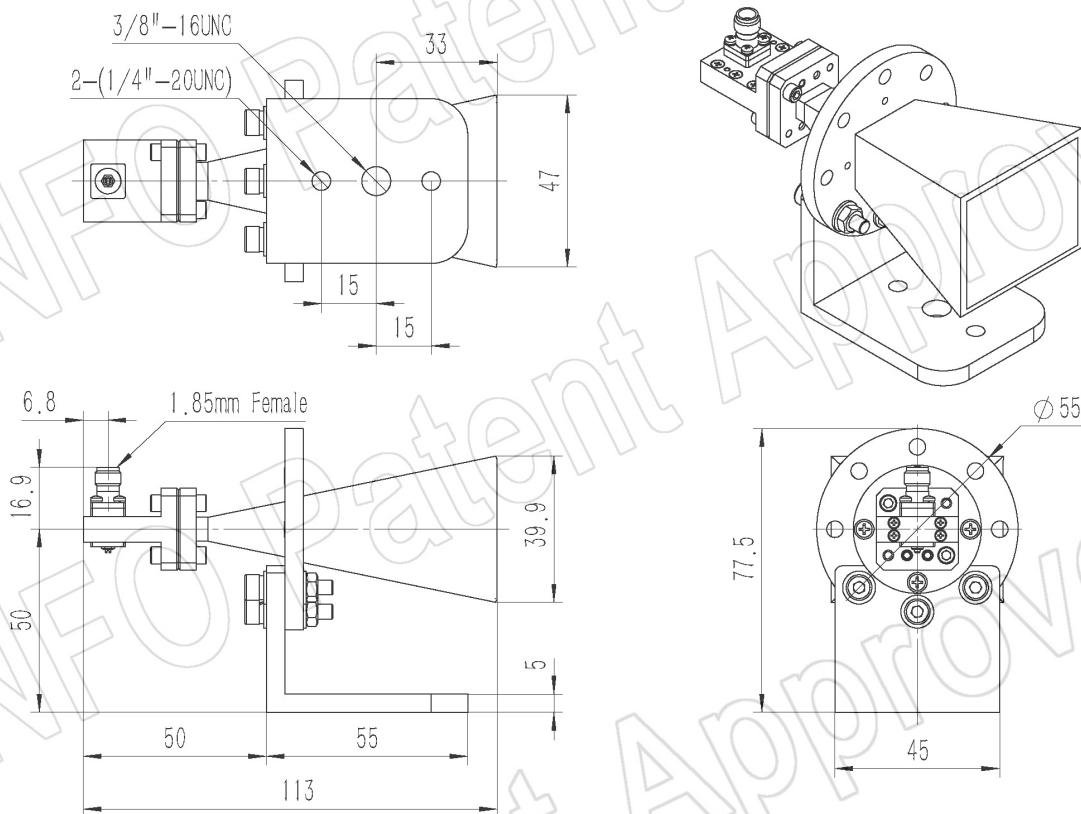
Fax: (+86) 10-6266-7379
Fax: (+86) 28-8519-3068
Fax: (+1) 949-639-9670

Website: www.ainfoinc.com
Email: sales@ainfoinc.com

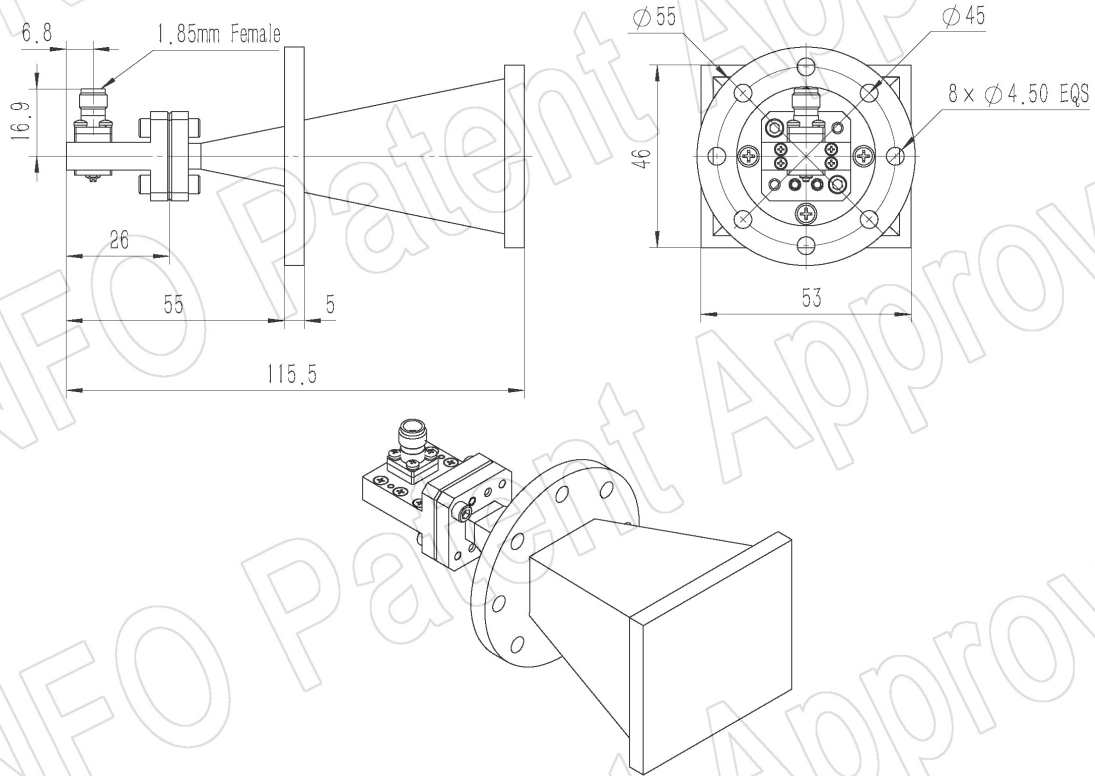
1.85mm-Female Output with Round Mounting Bracket (Option, P/N: LB-19-25-MB2)



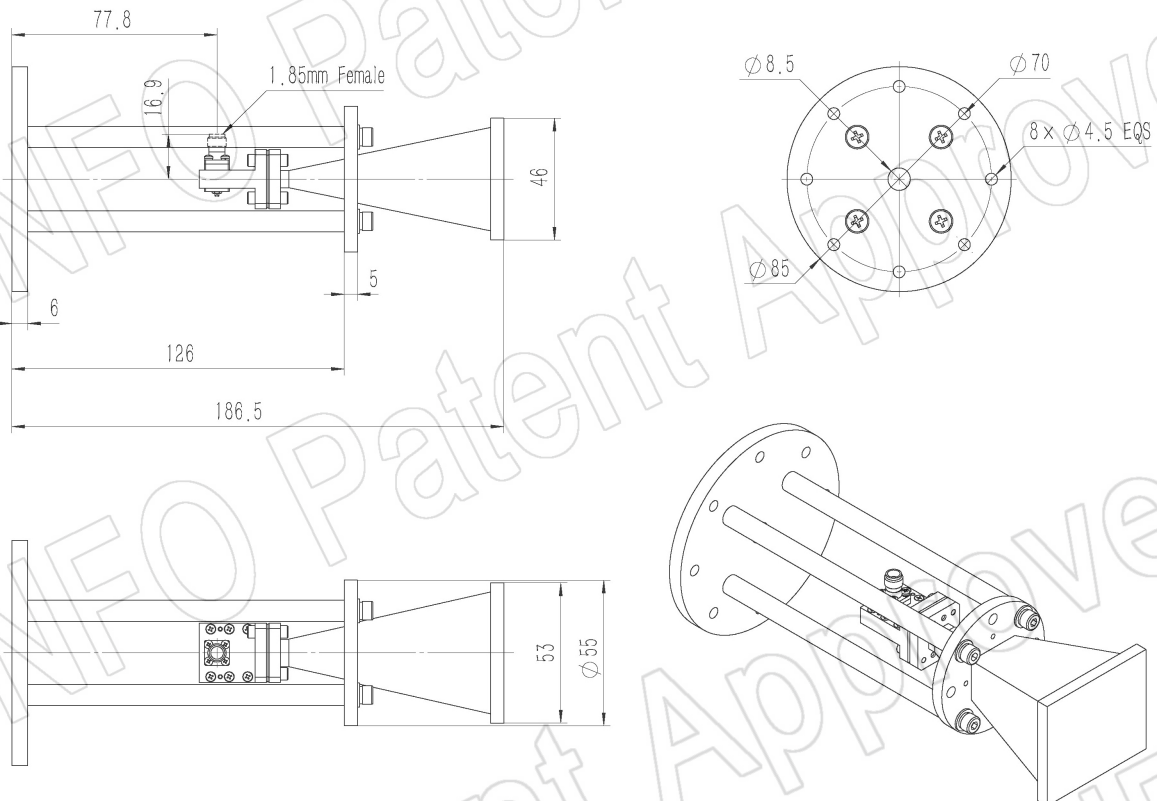
1.85mm-Female Output with L Type Mounting Bracket (Option, P/N: LB-19-25-L2)



1.85mm-Female Output with Radome (Option, P/N: LB-180550H-1.85FSPO, Outdoor Application)

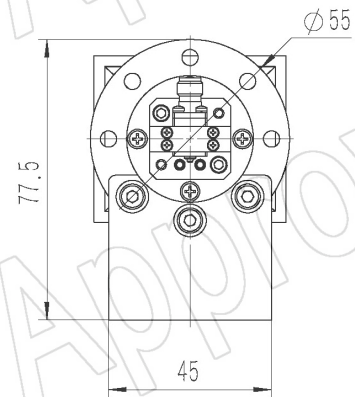
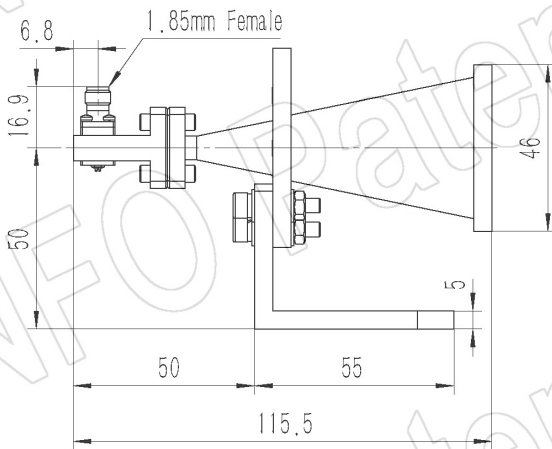
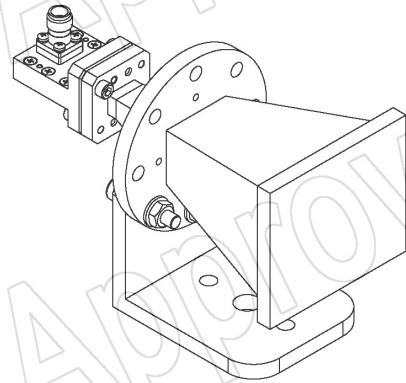
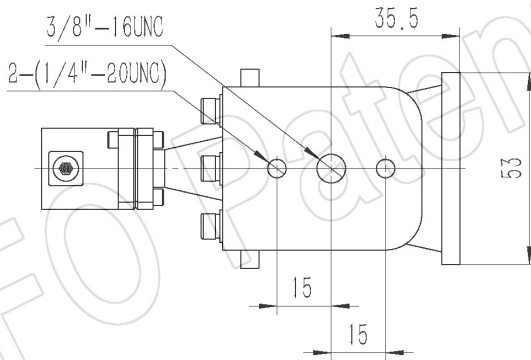


1.85mm-Female Output with Round Mounting Bracket & Radome (Option, P/N: LB-19-25-MB2 & LB-180550H-1.85FSPO, Outdoor Application)



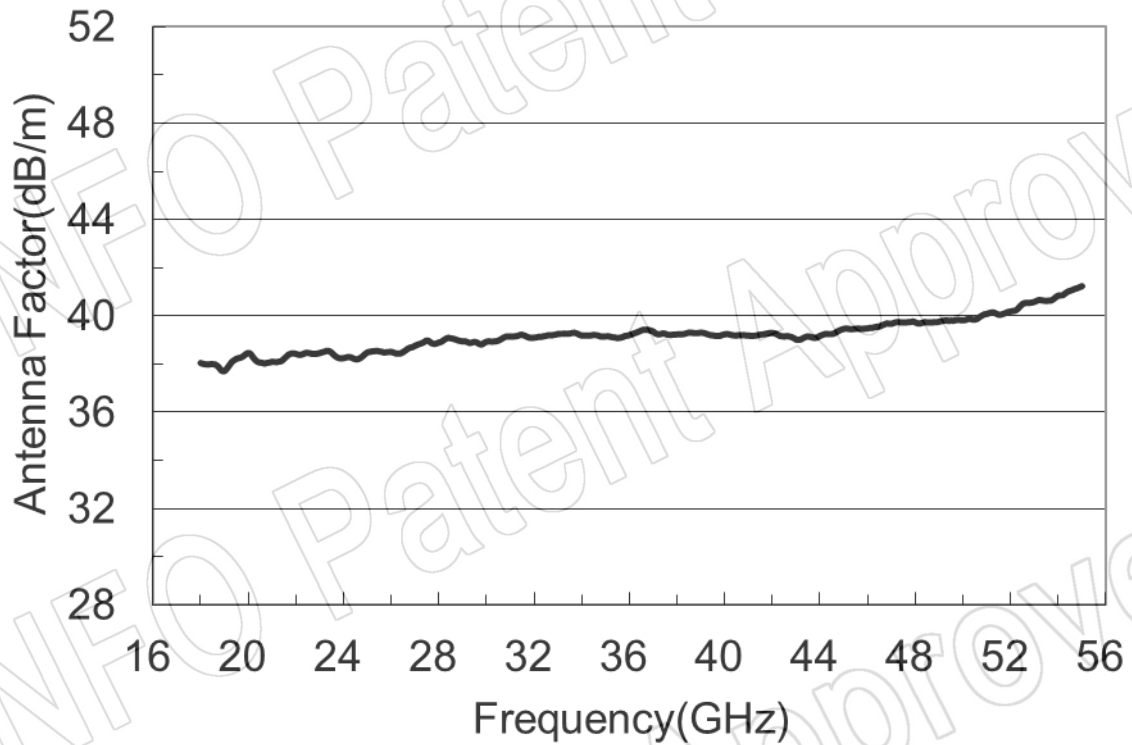
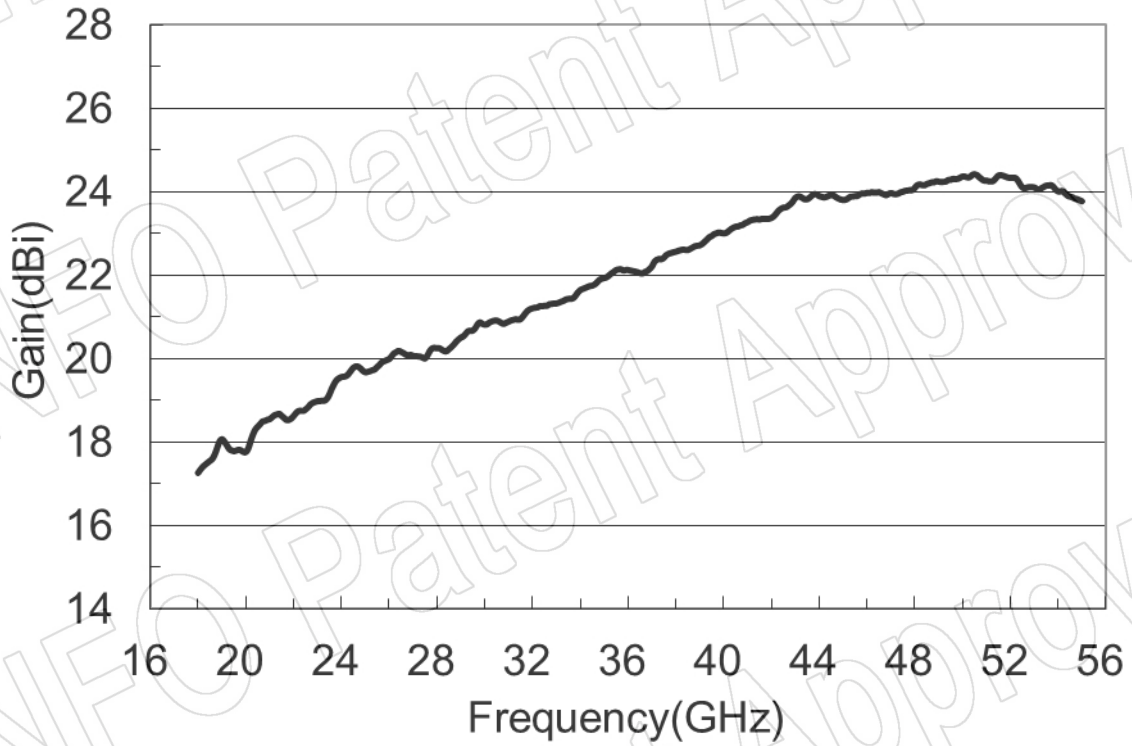
1.85mm-Female Output with L Type Mounting Bracket & Radome (Option, P/N: LB-19-25-L2 & LB-180550H-1.85FSPO, Outdoor Application)

For 2.4mm-Female output outline drawing, please contact A-INFO.

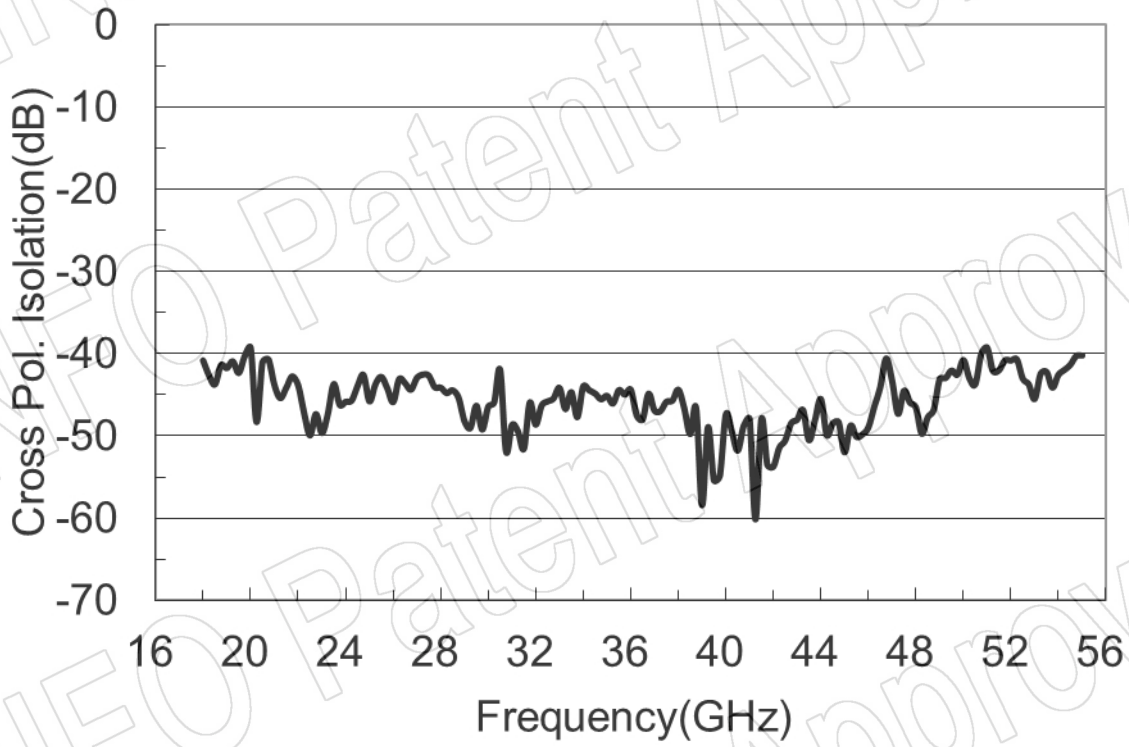


Test Results

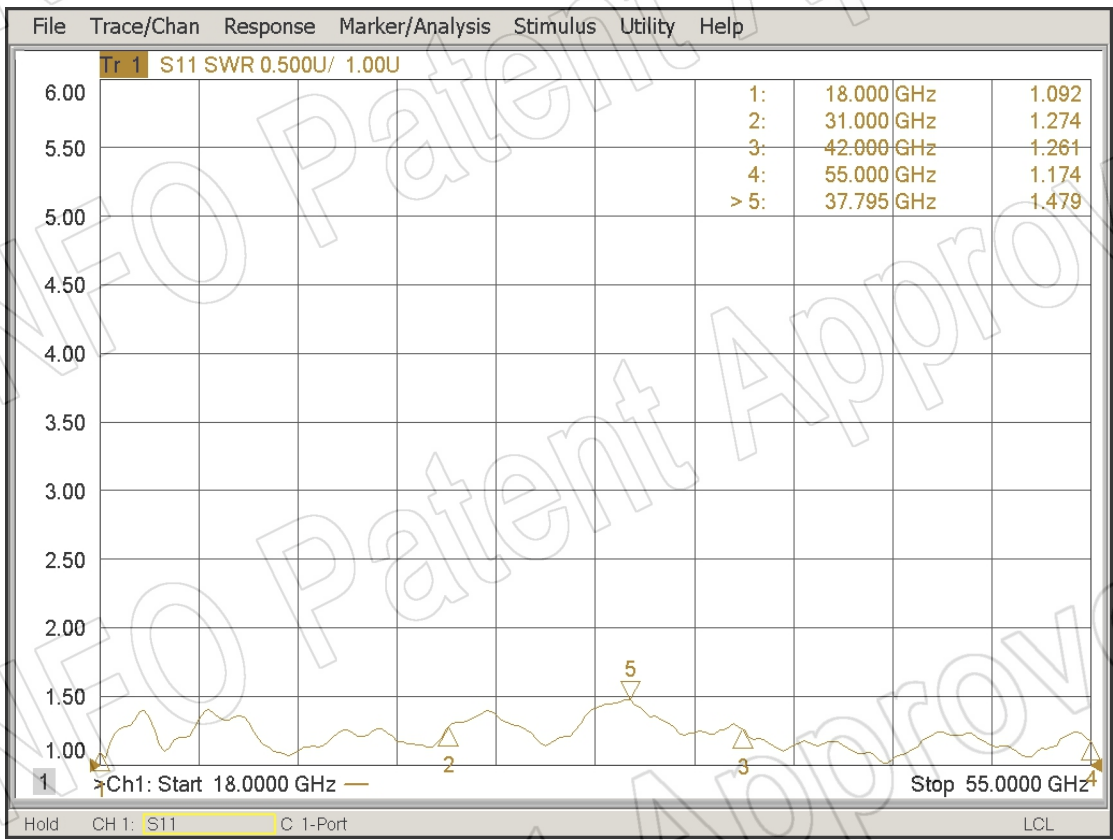
1. Gain & Antenna Factor



2. Cross Polarization Isolation



3. VSWR



4. Pattern

